

TEDDY Project Table



Features:

The dandyish and vibrant Teddy Boy subculture serves as the inspiration for Zenith's new Teddy Project Tables. Distinguished by a round leg and flat pronounced foot pad, Teddy Project tables are ideal for dynamic collaboration. Teddy Project tables have the option for reticulated power through the frame with outlets, freeing valuable worktop space for projects and team endeavours.

Options:

- TUF - USB Chargers
(1 x USB-A & 1 x USB-C outlet or 2 x USB-C)
- Glides or castors (4 leg & 6 leg only)

Design: ZENITH DESIGN STUDIO

Certifications: AFRDI, BIFMA, Greenguard Gold

Warranty: 7 years

Materials:

Worktop:

Laminate or Veneer

Leg & Frame:

Steel

Finishes:

Worktop:

25mm Standard laminate, veneer or custom top
Please refer to Laminate Specification Sheet

Leg & Frame:

Powder coated in Zenith Select Finishes
Please refer to Powdercoat Specification Sheet
Custom colours available upon request

TUF Chargers:

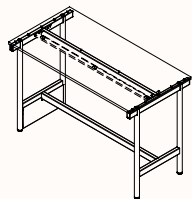
White or black



White

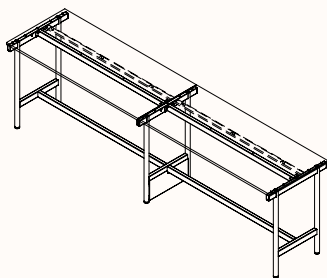
Black

Dimensions



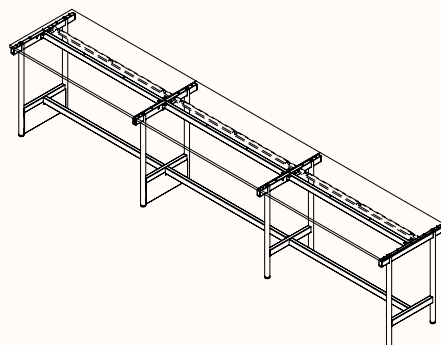
4-leg Project Table

OW 800-2400mm
OD 800-900mm
OH 900/1050mm



6-leg Project Table

OW 1600-4800mm
OD 800-900mm
OH 900/1050mm



8-leg Project Table

OW 2400-7200mm
OD 800-900mm
OH 900/1050mm